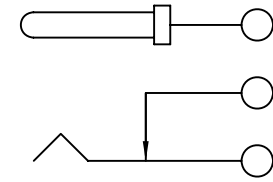
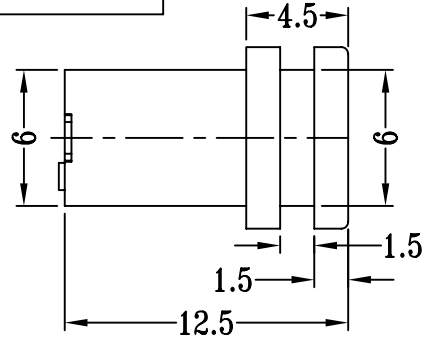
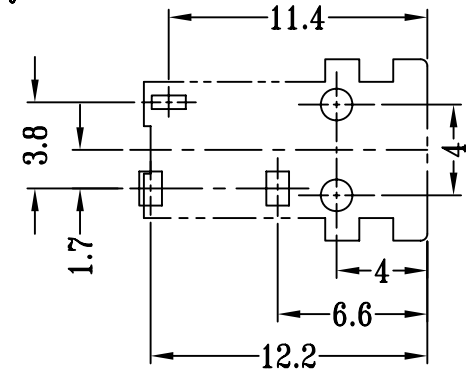
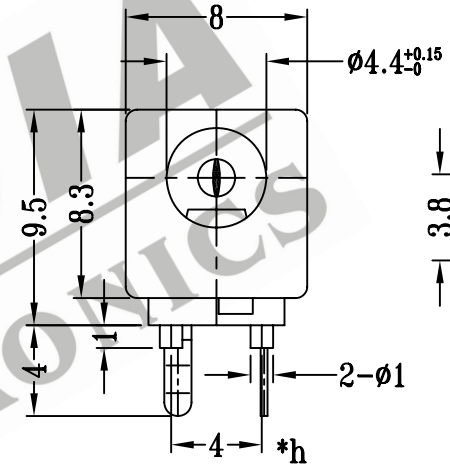
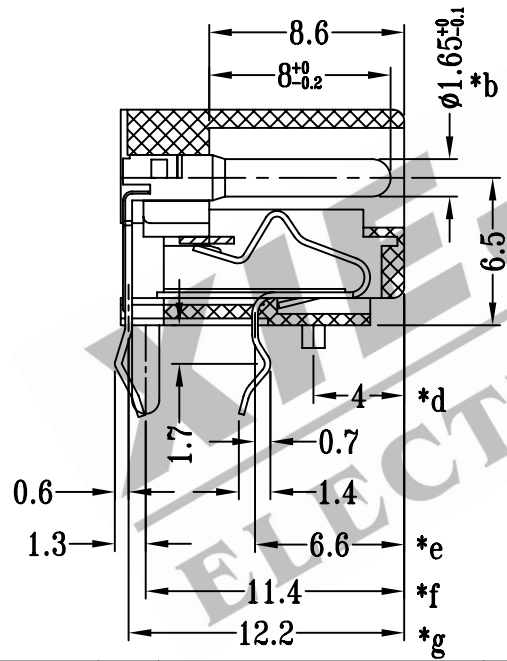
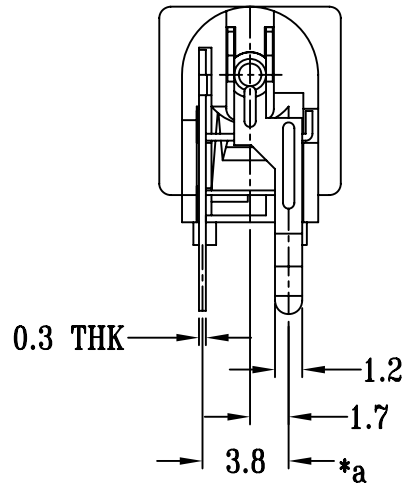


CAD FILE:



**SCHEMATIC**



**P.C.B LAYOUT**

DIA. OF PIN 'X' A = 1.6 MM

注:带'\*'表示关键尺寸(8个)

8					TOLERANCE UNLESS SPECIFIED	SHENZHEN XIEJIA ELECTRONICS CO.,LTD.					
7											
6					WITHIN: 1.5±0.1mm OVER : 1.5±0.2mm	ISSUE	DATE	DESCRIPTIONS OF REVISION		APPD	
5											
4	TERMINAL	BRASS STRIP	1	Ag PLATED OVER Ni PLATED	TITLE: DC POWER JACK			UNIT : mm	DRWG NO.: XJ-DR-DS308-00		
3	SPRING TERMINAL	PBS STRIP	1	Ag PLATED OVER Ni PLATED							
2	PLUG PIN	BRASS STRIP	1	Ag PLATED OVER Ni PLATED	MODEL: DS-308			SCALE: 3 : 1	DWN	ZHOUYU	2004-9-17
1	CASE	ABS/PBT+94V0+F.G	1	BLACK					CHK'D	FANGYING	2004-9-17
NO.	PARTS	MATERIALS	QTY	FINISH	ALL MATERIALS MUST BE COMPLIANT TO ROHS			APPD	KANGXINAN	2004-9-17	